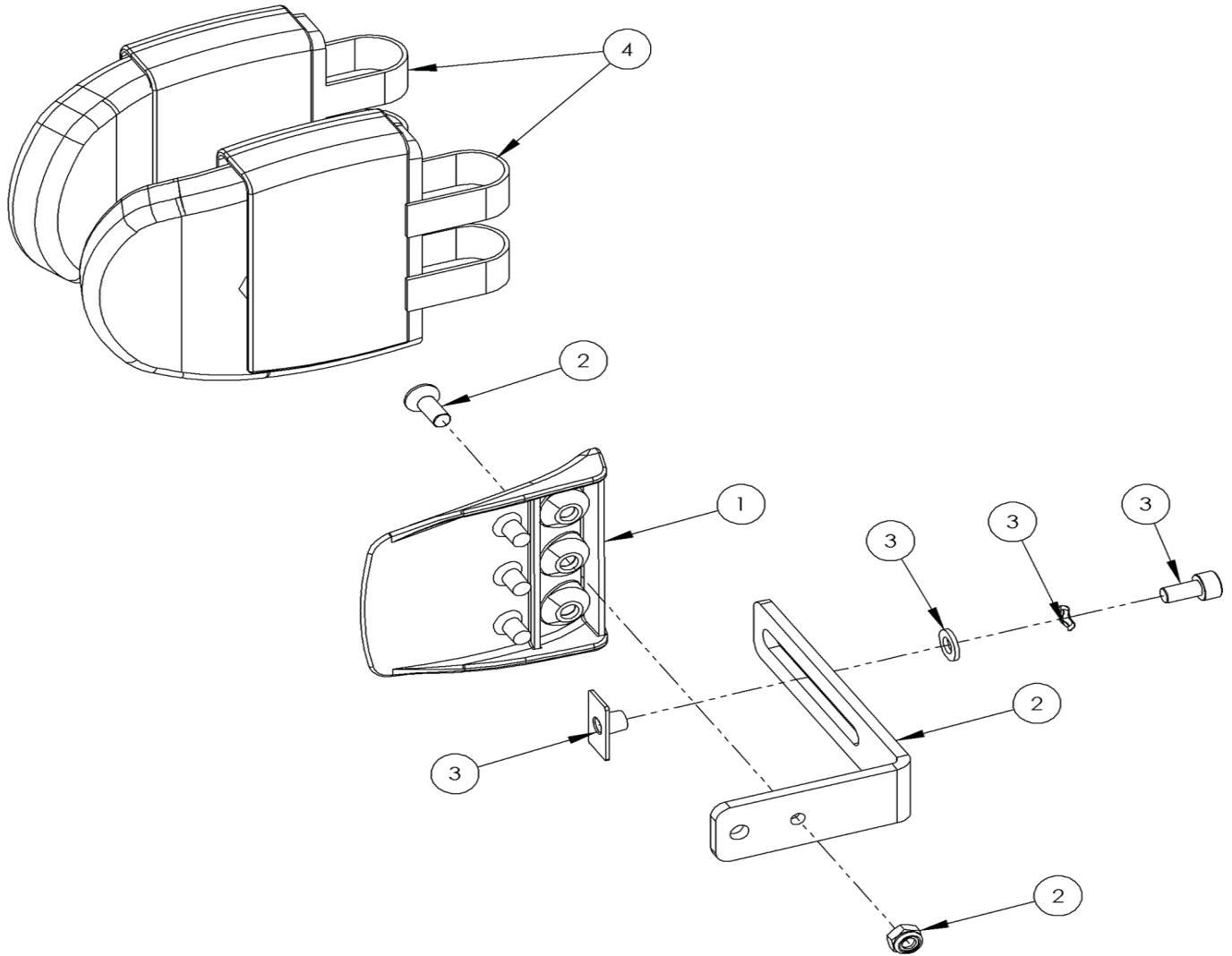


## Hip Lateral Assembly



Pos.	Leckey Code	Description	Qty	Compatible with	
				Size 1	Size 2
1	118-049	Lateral	1	✓	✓
2	137-9020	Lateral Bracket & Screw Kit	1	✓	✓
3	SP-1003	Hip Lateral Locking Kit	1	✓	✓
4	137-807-05	Flat Headrest Lateral Covers	1	✓	✓