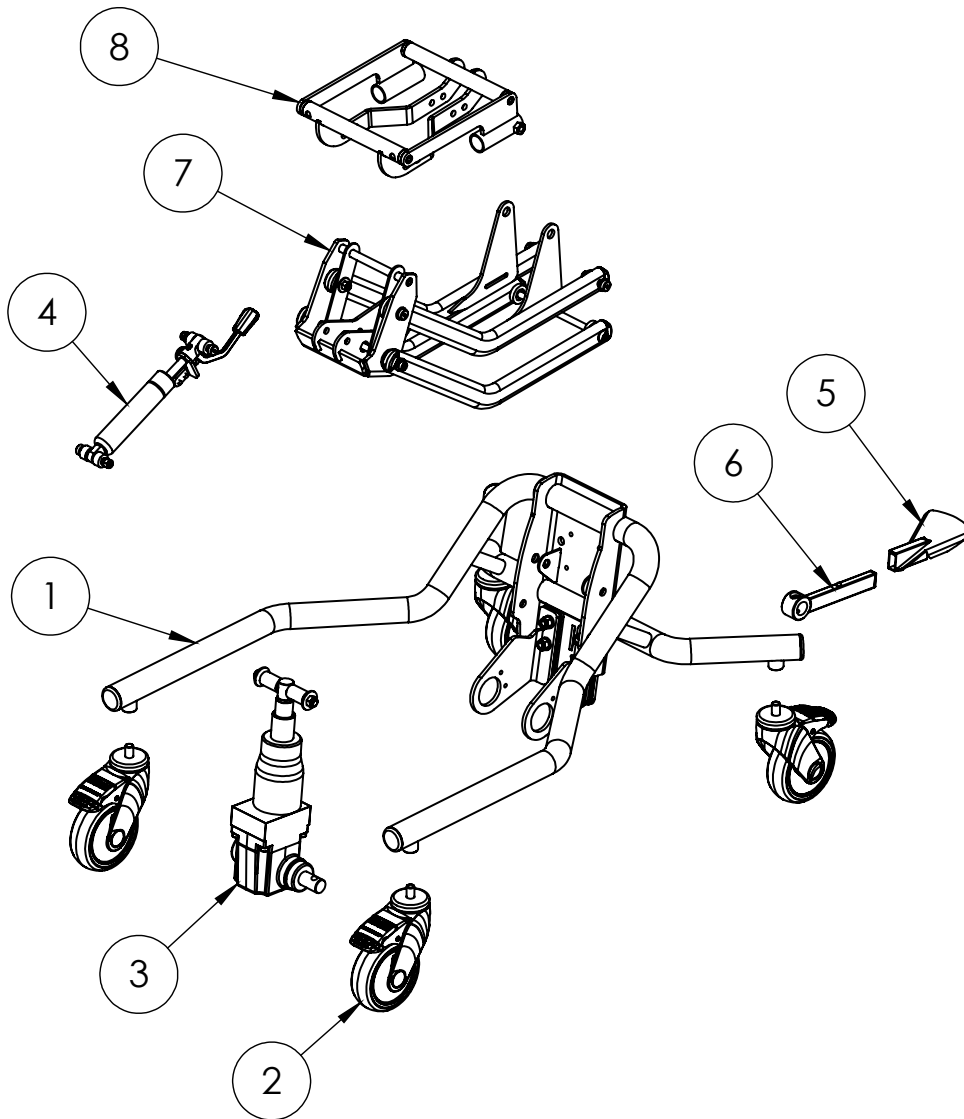


## Mygo Hi-low Hydraulic Chassis



Pos.	Leckey Code	Description	Qty	Compatible with	
				Size 1	Size 2
1	117-933	Chassis Welded Assy Size 1&2	1	✓	✓
2	IA13	Castor	4	✓	✓
3	117-823	Chassis hydraulic pack	1	✓	✓
4	102-1695	500N Blocolift Size 1&2 Assy	1	✓	✓
5	117-947	Sliding Pedal Outer	1	✓	✓
6	117-948	Inner Pedal Assy	1	✓	✓
7	117-936	Lever Arm Assembly Size 1-2	1	✓	✓
8	117-633	Mygo Interface Assembly	1	✓	✓